



# Rick's Hobby Garage

Metalworking, Woodworking, and Gardening

(Hobbies for the Home and Garden)

## RAISED PLASTIC DRUM PLANTER





# Rick's Hobby Garage

Metalworking, Woodworking, and Gardening

(Hobbies for the Home and Garden)

## PROJECT OVERVIEW

This planter project is quick and easy to make, which should make it enjoyable for those days when you don't have all day to work on a project.

Using one food grade plastic barrel cut in half and a few pieces of wood and some screws, you will have two raised planters that you can enjoy for years to come at a fairly reasonable price.

### **IMPORTANT!**

This set of plans is designed to work with drums of various sizes...so please pay attention to the measurements and verify them with the size of drum you select. Not all drums are made equal!

## CUTTING/MATERIAL LIST:

Part 'A' - (8) 4 x 4 x 30-1/2 inches long

Part 'B' - (4) 2 x 6 x length of barrel \*

Part 'C' - (4) 2 x 6 x diameter of barrel + 10 inches \*

Part 'D' - (4) fence boards, length of planter (length of barrel + 3 inches)

Part 'E' - (4) fence boards, width of planter (length of Part 'C')

(1) 30 or 55 gallon plastic drum (Preferably food grade) cut in half

(16) 3" screws, exterior grade

(8) 1-3/8" screws, exterior grade

(16) 1-5/8" screws, exterior grade

(2) or (4) Bags of 2 Cu. Ft. garden soil

\* 2x6's can be changed out to 2x8, which look good for the 55 gallon drum planter.

## QUESTIONS?

If you have any questions or comments you would like to share, please go to [www.rickshobbygarage.com](http://www.rickshobbygarage.com). I would be more than happy to answer any questions you have and would love to hear your thoughts on this design.



# Rick's Hobby Garage

Metalworking, Woodworking, and Gardening

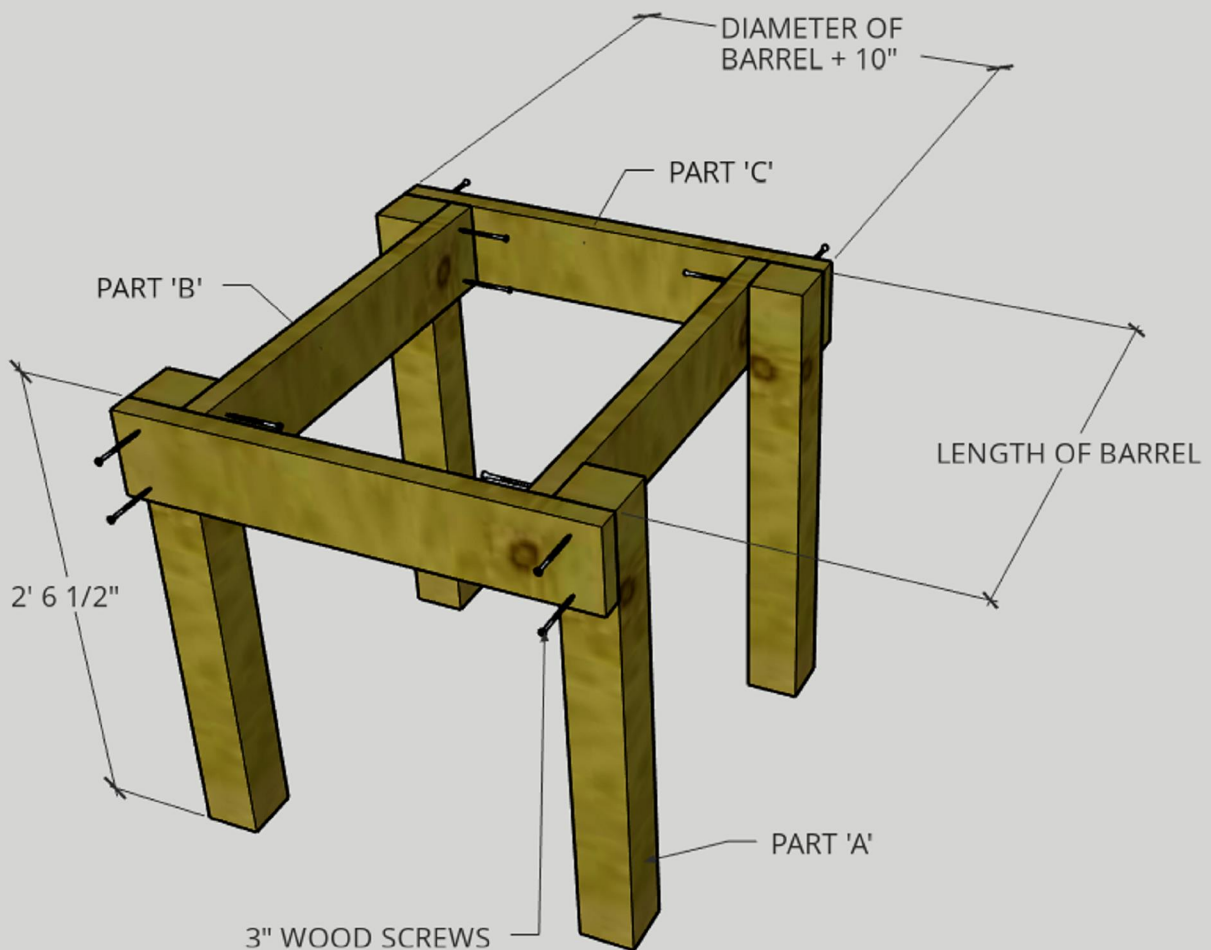
(Hobbies for the Home and Garden)

## 1. CUT AND ASSEMBLE

Cut the barrel in half lengthwise. The easiest method I have found so far is to use a **skill saw**. I have also used a reciprocating saw and that worked okay as well. A hand saw will work too.

Cut Parts "A", "B", and "C". Parts 'B' and 'C' are going to be your most critical pieces to measure and cut correctly. Get these correct and rest of the project will go smoothly.

Lay two legs down on table or ground and attach Part 'B', then stand it up and attach Part 'C'.





# Rick's Hobby Garage

Metalworking, Woodworking, and Gardening

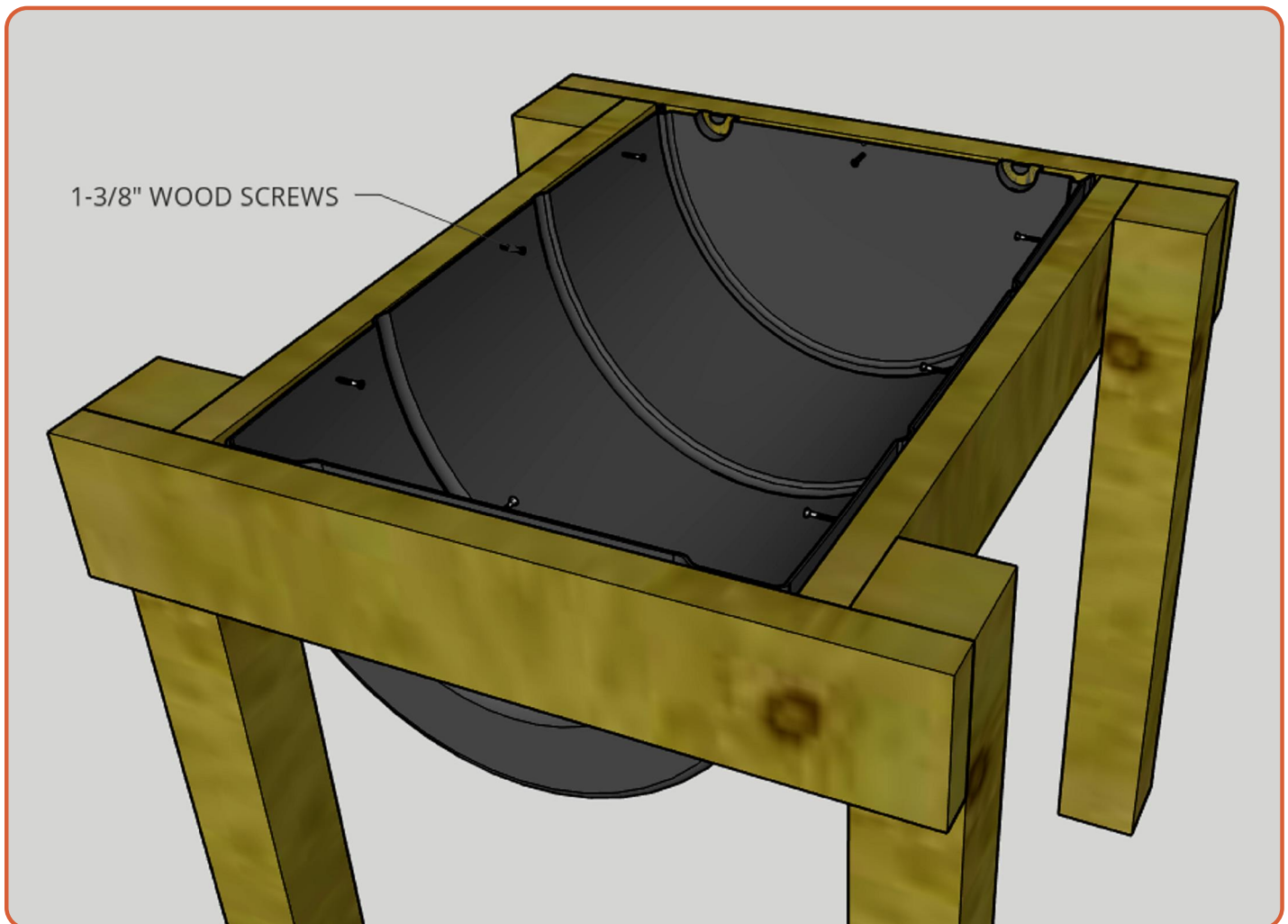
(Hobbies for the Home and Garden)

## 2. ATTACH THE BARREL

Install the barrel with 1-3/8" wood screws.

If it is a snug fit, you may find that laying the stand upside down on the ground to insert the barrel will be easier so you can force it in there.

You may need some assistance to keep the barrel in place. Get some help from another person, or a simple clamp on both ends will work.





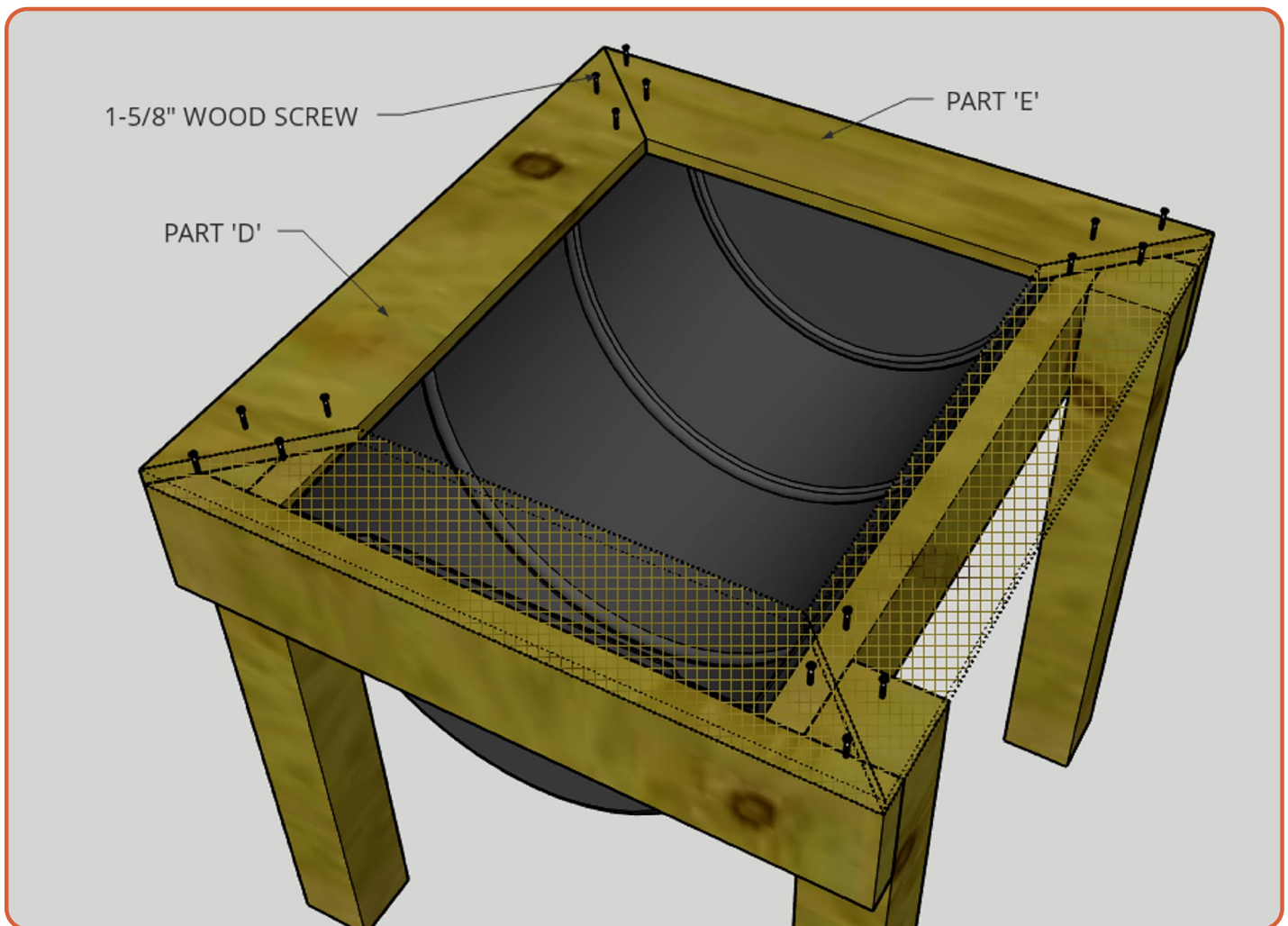
# Rick's Hobby Garage

Metalworking, Woodworking, and Gardening

(Hobbies for the Home and Garden)

## 3. ATTACH THE TOPS

Now is the time to measure the overall length and width dimensions of the planter. Cut the fence boards to those lengths with 45 degree angles on each end. Attach with 1-5/8" wood screws as shown.



## 4. DRILL DRAINAGE HOLES

The last important step is to drill 3/8" or 1/2" drainage holes at the bottom of the barrel. 8 to 10 holes should be more than enough. Now add soil and get to planting!